

LAVAYA'S VISTA PAR CONDOMINIUMS @ GRAND HAVEN

BUILDING ALTERATIONS & ADDITIONS
445 & 455 RIVERFRONT DRIVE, PALM COAST, FL 32137



DESIGN SERVICES INCORPORATED

P.O. BOX 917825, LONGWOOD, FL 32791, T 407.790.7826

LICENSE NO. AFF000061

DSI CONSULTANTS

CIVIL ENGINEER & LANDSCAPE ARCHITECT

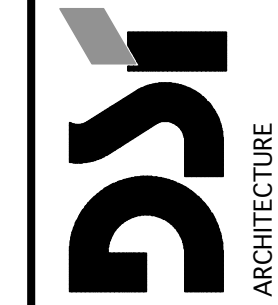
CPH ENGINEERS, INC.
520 PALM COAST PARKWAY SW, PALM COAST, FLORIDA 32137
T 386.445.6569

STRUCTURAL ENGINEER

ADVANCED STRUCTURAL ENGINEERING, INC.
10244 E. COLONIAL DR., SUITE 202, ORLANDO, FL 32817
T 407.677.5565

MECHANICAL, ELECTRICAL ENGINEER

MEP ENGINEERING SERVICES
8519 CYPRESS HOLLOW COURT, SANFORD, FL 32771
T 407.330.9092



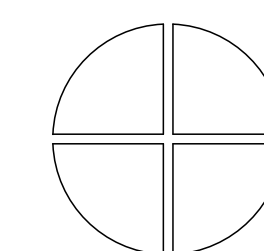
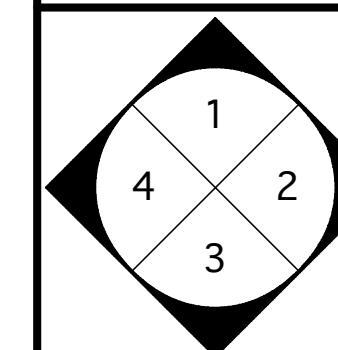
DESIGN SERVICES INCORPORATED
P.O. BOX 917825, LONGWOOD, FL 32791
TELEPHONE 407.790.7826
ARCHITECTURE
INTERIOR DESIGN
SPACE PLANNING
LICENSE NO. AFF000061

LAVAYA'S VISTA PAR CONDOMINIUMS
@ GRAND HAVEN
BUILDING ALTERATIONS & ADDITIONS
445 & 455 RIVERFRONT DRIVE, PALM COAST, FL 32137

GENERAL NOTES

REFER TO SEPARATE CIVIL ENGINEERING & LANDSCAPE ARCHITECTURAL DRAWINGS

THE DESIGN, DRAWINGS, AND SPECIFICATIONS INCORPORATED HEREIN AS AN INSTRUMENT OF PROFESSIONAL SERVICES ARE, AND SHALL BE THE SOLE PROPERTY OF DSI DESIGN SERVICES INC.. THEY ARE NOT TO BE USED ON ANY OTHER PROJECT OR FOR ANY OTHER PURPOSE WITHOUT SPECIFIC WRITTEN PERMISSION. ALL RIGHTS RESERVED.



INTERIOR
ELEVATION
KEY

NORTH
ACTUAL
PLAN

MARK	DATE	REVISIONS

COMM. NO:	13005	DRAWN:	MEL
DATE:	7/15/13	CHECKED:	ELM
SCALE:	NO SCALE		© 2013

COVER SHEET

SEAL	ARCHITECT/CONSULTANT
	EDDIE L. MUSE, AIA LIC. NO. AR-12112
	SHEET NUMBER G1

LAVAYA'S VISTA PAR CONDOMINIUMS @ GRAND HAVEN

BUILDING ALTERATIONS & ADDITIONS

445 & 455 RIVERFRONT DRIVE, PALM COAST, FL 32137



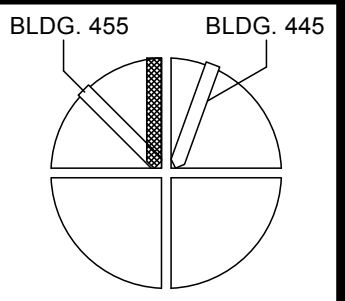
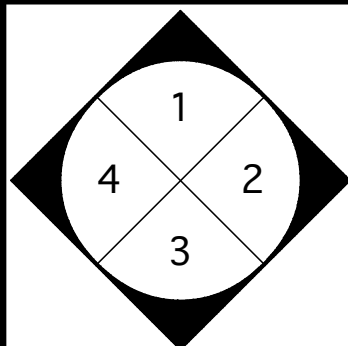


DSI DESIGN SERVICES INCORPORATED
 P.O. BOX 917825, LONGWOOD, FL 32791
 TELEPHONE 407.790.7826
 ARCHITECTURE
 INTERIOR DESIGN
 SPACE PLANNING
 LICENSE NO. AFF000061

LAVAYA'S VISTA PAR CONDOMINIUMS
@ GRAND HAVEN
 BUILDING ALTERATIONS & ADDITIONS
 445 & 455 RIVERFRONT DRIVE, PALM COAST, FL 32137

GENERAL NOTES

THE DESIGN, DRAWINGS, AND SPECIFICATIONS INCORPORATED HEREIN AS AN INSTRUMENT OF PROFESSIONAL SERVICES ARE, AND SHALL BE THE SOLE PROPERTY OF DSI DESIGN SERVICES INC. THEY ARE NOT TO BE USED ON ANY OTHER PROJECT OR FOR ANY OTHER PURPOSE WITHOUT SPECIFIC WRITTEN PERMISSION. ALL RIGHTS RESERVED.



INTERIOR ELEVATION KEY

NORTH
 — ACTUAL
 — PLAN

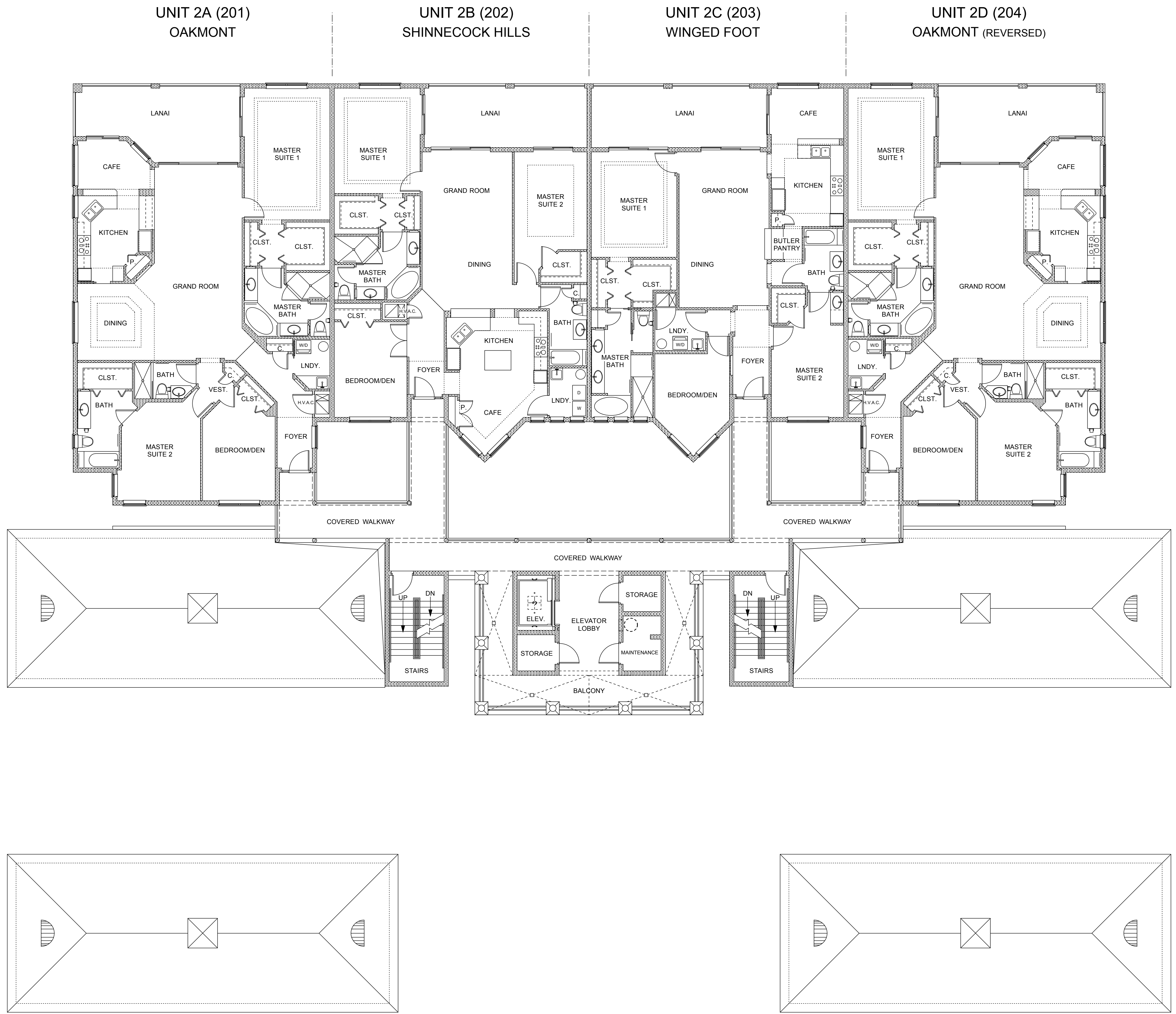
MARK	DATE	REVISIONS

COMM. NO:	13005	DRAWN:	MEL
DATE:	7/15/13	CHECKED:	ELM
SCALE:		©	2013

FIRST

FLOOR PLAN

SEAL	ARCHITECT/CONSULTANT
	EDDIE L. MUSE, AIA L.C. NO. AR-12112
	SHEET NUMBER

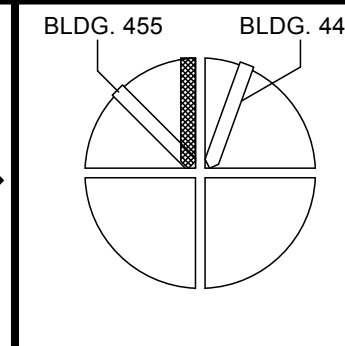
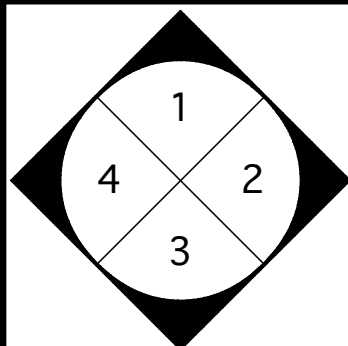


DSI DESIGN SERVICES INCORPORATED
 P.O. BOX 917825, LONGWOOD, FL 32791
 TELEPHONE 407.790.7826
 ARCHITECTURE
 INTERIOR DESIGN
 SPACE PLANNING
 LICENSE NO. AFF000061

LAVAYA'S VISTA PAR CONDOMINIUMS
@ GRAND HAVEN
 BUILDING ALTERATIONS & ADDITIONS
 445 & 455 RIVERFRONT DRIVE, PALM COAST, FL 32137

GENERAL NOTES

THE DESIGN, DRAWINGS, AND SPECIFICATIONS INCORPORATED HEREIN AS AN INSTRUMENT OF PROFESSIONAL SERVICES ARE, AND SHALL BE THE SOLE PROPERTY OF DSI DESIGN SERVICES INC. THEY ARE NOT TO BE USED ON ANY OTHER PROJECT OR FOR ANY OTHER PURPOSE WITHOUT SPECIFIC WRITTEN PERMISSION. ALL RIGHTS RESERVED.



INTERIOR ELEVATION KEY

NORTH
 — ACTUAL
 — PLAN

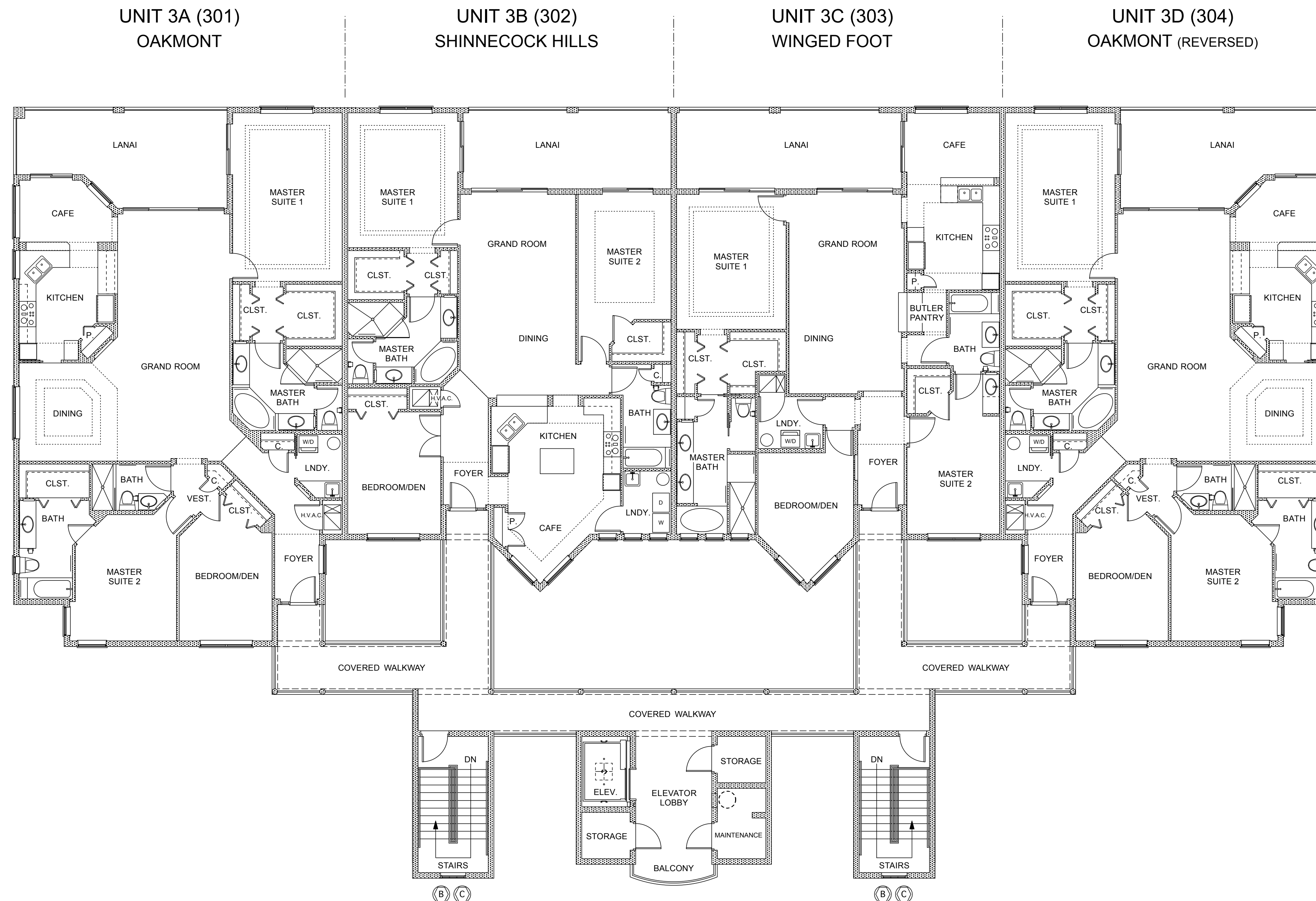
MARK	DATE	REVISIONS

COMM. NO:	13005	DRAWN:	MEL
DATE:	7/15/13	CHECKED:	ELM
SCALE:			© 2013

SECOND

FLOOR PLAN

SEAL	ARCHITECT/CONSULTANT
	SHEET NUMBER

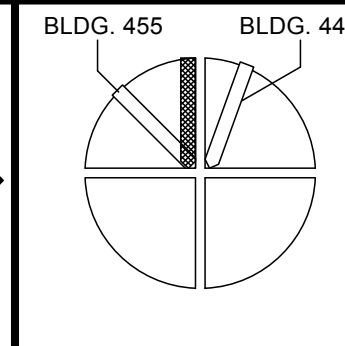
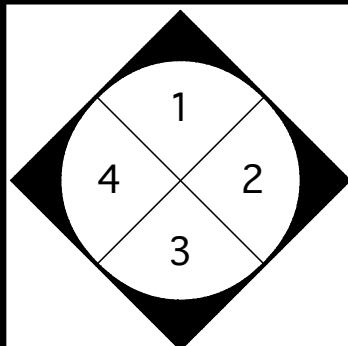


DESIGN SERVICES INCORPORATED
 P.O. BOX 917825, LONGWOOD, FL 32791
 TELEPHONE 407.790.7826
 LICENSE NO. AFF000061

LAVAYA'S VISTA PAR CONDOMINIUMS @ GRAND HAVEN
 BUILDING ALTERATIONS & ADDITIONS
 445 & 455 RIVERFRONT DRIVE, PALM COAST, FL 32137

GENERAL NOTES

THE DESIGN, DRAWINGS, AND SPECIFICATIONS INCORPORATED HEREIN AS AN INSTRUMENT OF PROFESSIONAL SERVICES ARE, AND SHALL BE THE SOLE PROPERTY OF DS DESIGN SERVICES INC. THEY ARE NOT TO BE USED ON ANY OTHER PROJECT OR FOR ANY OTHER PURPOSE WITHOUT SPECIFIC WRITTEN PERMISSION. ALL RIGHTS RESERVED.



INTERIOR ELEVATION KEY

NORTH
 ACTUAL PLAN

MARK	DATE	REVISIONS

COMM. NO:	13005	DRAWN:	MEL
DATE:	7/15/13	CHECKED:	ELM
SCALE:			© 2013

THIRD
 FLOOR PLAN

SEAL	ARCHITECT/CONSULTANT
	SHEET NUMBER

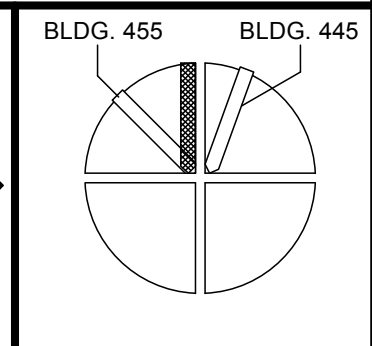
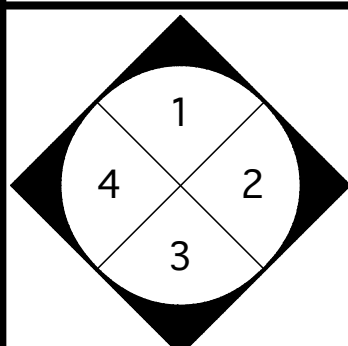


DESIGN SERVICES INCORPORATED
 P.O. BOX 917825, LONGWOOD, FL 32791
 TELEPHONE 407.790.7826
 LICENSE NO. AFF000061

LAVAYA'S VISTA PAR CONDOMINIUMS
 @ GRAND HAVEN
 BUILDING ALTERATIONS & ADDITIONS
 445 & 455 RIVERFRONT DRIVE, PALM COAST, FL 32137

GENERAL NOTES

THE DESIGN, DRAWINGS, AND SPECIFICATIONS INCORPORATED HEREIN AS AN INSTRUMENT OF PROFESSIONAL SERVICES ARE, AND SHALL BE THE SOLE PROPERTY OF DS DESIGN SERVICES INC. THEY ARE NOT TO BE USED ON ANY OTHER PROJECT OR FOR ANY OTHER PURPOSE WITHOUT SPECIFIC WRITTEN PERMISSION. ALL RIGHTS RESERVED.



INTERIOR ELEVATION KEY

NORTH
 ACTUAL PLAN

MARK	DATE	REVISIONS

COMM. NO:	13005	DRAWN:	MEL
DATE:	7/15/13	CHECKED:	ELM
SCALE:			© 2013

A & D UNITS
 OAKMONT & OAKMONT (REVERSED) MODELS

FLOOR PLANS

SEAL	ARCHITECT/CONSULTANT
	SHEET NUMBER